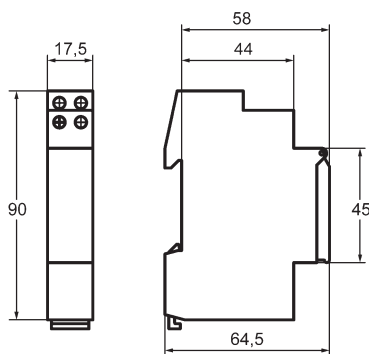




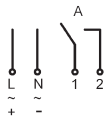
- Daily program
- Slim format 17.5 mm
- Captive setting keys
- Manual override switch
- Permanently ON / AUTO

Highlights

- Easy programming with captive setting keys
- Easy to read switching program
- Manual override switch Permanently ON / AUTO
- Simple to install



111 120 / 114 120



Analogue Time Switches 111 120 / 114 120
for DIN-rail mounting

Technical data	
Supply voltages	230 V, 50–60 Hz
Power consumption (real power)	0.4 W
Switch (potential-free)	Normally open, gap < 3 mm (μ)
Contact material	AgCdO
Switching capacity	16 A / 250 V~ at cosφ=1 2.5 A with inductive load cosφ=0.6 max. filament lamp load 2,000 W
Min. switching power	120 mW (12 V / 100 mA)
Minimum switching interval	15 min.
Time base	Quartz
Power back-up (at 20°C)	approx. 100 h.
Accuracy (at 20°C)	≤ ±1.5 sec./day
Permitted ambient temperature	-5°...+50°C
Enclosure	self-extinguishing thermoplastic
Dimensions	45 x 17.5 x 58 mm
DIN-rail mounting	35 mm section rail (DIN EN 60715)
Type of connection	Screw terminals
Type of protection	IP 20 to DIN EN 60529
Class of protection	II when installed according to regulations

Order number	Version
paladin 111 120	Day without reserve
paladin 114 120	Day with reserve
▽ Housing colour	