

year



SC 93.X0 pro

- 2 or 4 channels
- Daily, weekly and yearly program
- 300 memory locations
- Minimum interval 1 min
- Switching capacity 5 A per channel
- Up to 300 permanent switchings by date
- Manual permanent mode
- Manual override
- Automatic sorting of switching times on readout
- Unrestricted block programming
- Fully automatic daylight saving time
- Elapsed time and pulse counter
- Pulse function
- Cycle function
- Timer function
- Channel button function
- DCF function
- Security by PIN-Code
- Data-key function

Further information / Accessory

Accessory: Data-key DK pro and programming package PP 50 pro
(not included in delivery of the time switch)



Accessory: DCF radio receiver FU 20.00 pro
(not included in delivery of the time switch)



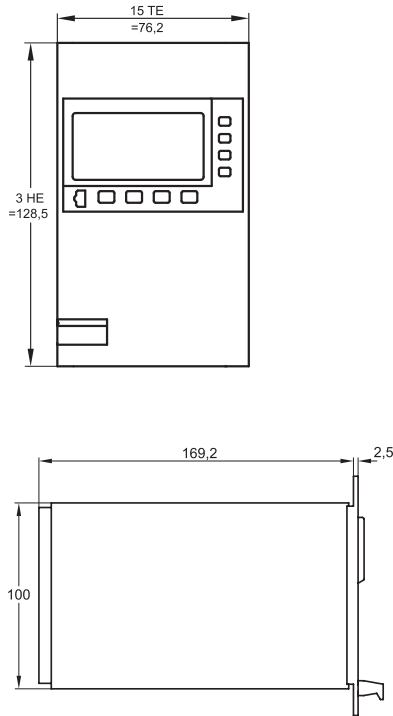
Accessory: 32 pole multipoint socket connector
(not included in delivery of the time switch)

Highlights

- Yearly program with Easter function, Weekday function and Extra-switching-time function
- Up to 300 permanent switchings by date with Easter function
- Text based menu and self-explanatory symbols
- Display with a large dot matrix area to provide two high resolution text lines
- Easy handling. Quick and intuitive programmable time switch
- Can be programmed with supply disconnected (6 years battery-reserve)
- Unlimited program security by E²-PROM
- Programmable with PC (Accessory Data-key DK pro and Programming package PP 50 pro)

Digital time switch SC 93.X0 pro

pluggable into 19"-housing (DIN EN 41494)



Technical data

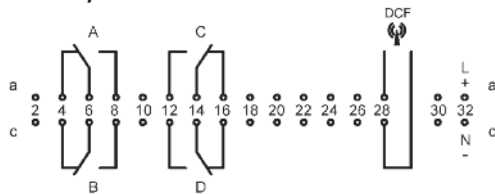
| | |
|---|--|
| Voltages | 230 V, 50–60 Hz other voltages on request |
| Power consumption (real power) | 1.2–3.2 W (depending on the switching status) |
| Channel (potential-free) | Channel A-C: Change-over Channel D: normally open contact gap < 3 mm (μ) |
| Contact material | AgSnO ₂ |
| Switching capacity per channel | 5 A / 250 V~ at cosφ=1 5 A with inductive load cosφ=0.6 |
| Min. switching power | 1000 mW (10 V / 10 mA) |
| Max. starting current | 50 A |
| Switching functions | ON, OFF, pulse, yearly program |
| Pulse length Pulse function (switching time) | 01...59 sec digital adjustment |
| Memory locations | 102 |
| Minimum interval | 1 min (1 sec pulse mode) |
| Time base | Quartz crystal or DCF 77 (FU 20.00 pro) |
| Power back-up (at 20°C) | approx. 10 years (depends on the Lithium-battery life) |
| Quartz crystal accuracy (at 20°C) | ≤ ±1.5 sec/day |
| Display | LCD |
| Permitted ambient temperature | -5°...+50°C |
| Mounting | pluggable into 19"-housing |
| Colour front panel | black, self-extinguishing thermoplastic |
| Dimensions front panel | 128.5 x 76.2 mm |
| Type of connection | 32-pole male multipoint connector (DIN EN 41612) |
| Type of protection | IP 00 to DIN EN 60529 |
| Class of protection | I when installed according to regulations |
| Accessories (not included in delivery) | Data-key DK pro, DCF radio receiver FU 20.00 pro, programming package PP 50 pro, 32 pole (multipoint) socket connector |



SC 93.20 pro



SC 93.40 pro



Overview time switch functions

| | Switching time | Channel-key |
|-------------------|----------------|-------------|
| ON/OFF | ✓ | ✓ |
| Permanent | ✓ | ✓ |
| Pulse | ✓ | |
| Timer | | ✓ |
| Cycle | ✓ | ✓ |
| Astro | | |
| Permanent by date | ✓ | |
| Yearly program | ✓ | |

| Order number | Channels | Time base | Special function |
|--------------|----------|------------|------------------|
| SC 93.20 pro | 2 | Quartz/DCF | Yearly program |
| SC 93.40 pro | 4 | Quartz/DCF | Yearly program |

✓ Housing colour